

Handling System for Dishwasher Roller Conveyor, 90° Curve Unit

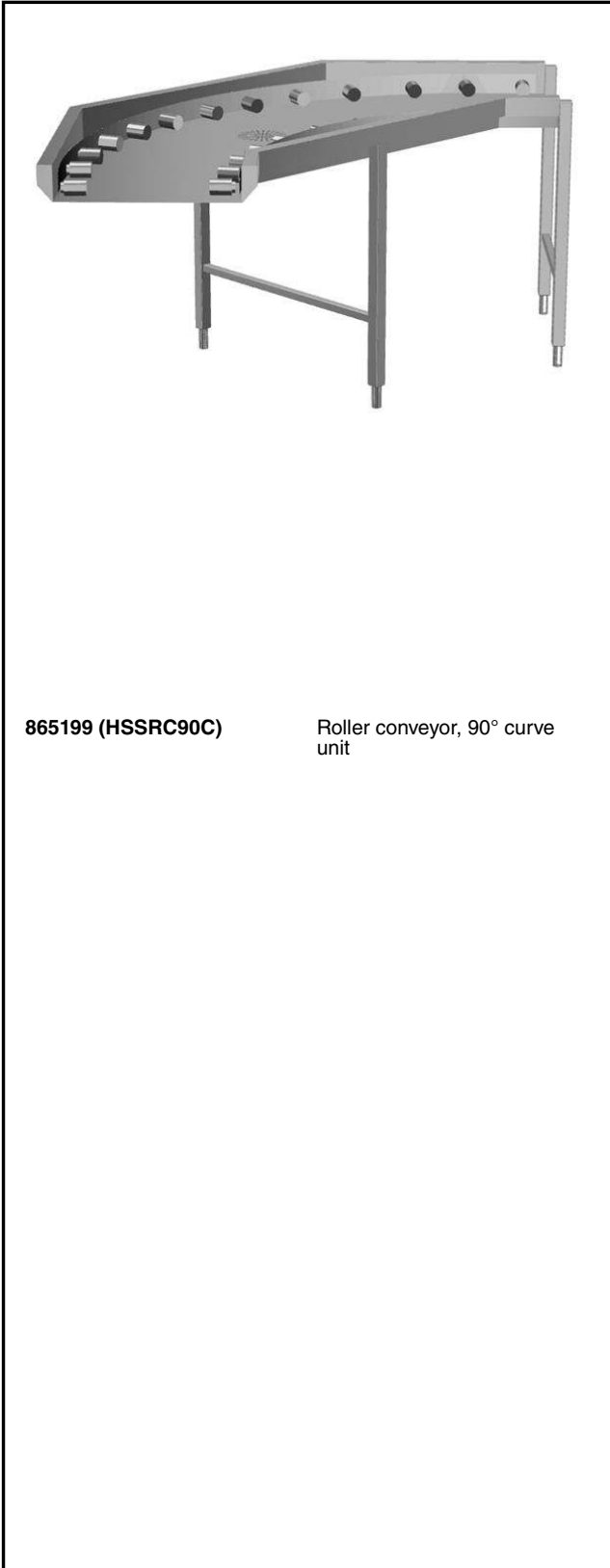
ITEM # _____

MODEL # _____

NAME # _____

SIS # _____

AIA # _____



865199 (HSSRC90C)

Roller conveyor, 90° curve
unit

Main Features

- Designed to transport 500x500 mm dishwashing baskets.
- Conveyors supplied as knockdown and easy to assemble.
- The table is suitable for both rack type and hood type dishwasher. Rack type dishwasher can be connected directly to the table, while there are optional accessories to adapt the table with hood type dishwasher.
- "Key holes" and "snap on" system reduces the number of screws needed for fast and easy installation.
- Manual rack movement with short rollers.
- Drain can be turned 360°.
- The table can be used in loading and/or unloading sides.
- Suitable to install in combination with other tables.

Construction

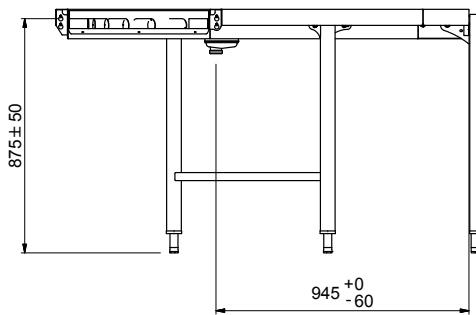
- All surfaces smooth with polished finish.
- 40x40 mm square tubular legs in AISI 304 stainless steel.
- Thick welded flanges for sturdy connection between the units.
- Stainless steel feet 50 mm adjustable in height to align the operation height between the dishwasher and table.
- Four legs included.
- AISI 304 1,2mm stainless steel basin.
- Sloping bottom of the table grants a smooth and rapid drainage.

Optional Accessories

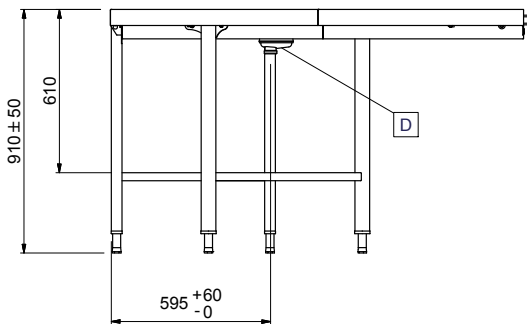
- Emergency stop kit for Rack Type Dishwasher PNC 865162
- Connection plate (short) side to connect handling system to hood type dishwasher on the left side PNC 865163
- Connection plate (long) to connect handling system to hood type dishwasher on the front and right side PNC 865164
- End plate for conveyor table PNC 865217
- End limit switch for short roller conveyor PNC 865218

APPROVAL: _____

Front

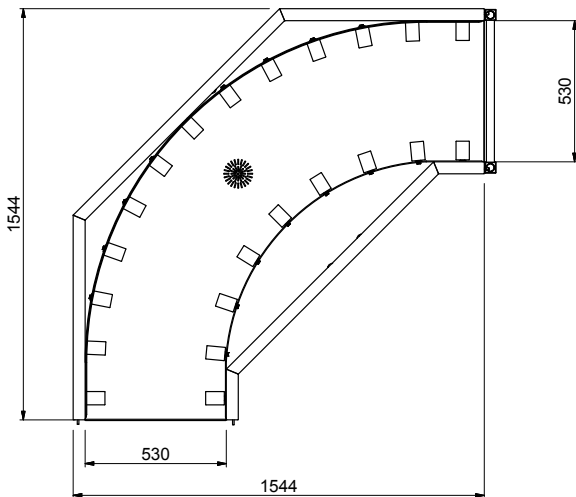


Side



D = Drain

Top



Key Information:

External dimensions, Width:	1545 mm
865199 (HSSRC90C)	
External dimensions, Depth:	1545 mm
External dimensions, Height:	910 mm
Net weight:	39 kg
Height adjustment:	50/50 mm
Basin material:	Stainless Steel AISI 304 - EN 1.4301
Type of rollers:	Short